



QNAP

TS-x77 Series

**Supercharge business productivity with
efficient, powerful multi-core processing**

QNAP Systems, Inc.



TS-677



TS-877



TS-1277



Elite performance w/ 65W TDP



8-core, 16-thread | 3.0 GHz / 3.7 GHz



6-core, 12-thread | 3.2 GHz / 3.6 GHz



The power to work faster & smarter



TS-677-1600-8G

Ryzen 5 1600, 8GB RAM



TS-877-1600-8G

Ryzen 5 1600, 8GB RAM



TS-877-1700-16G

Ryzen 7 1700, 16GB RAM

TS-1277-1600-8G

Ryzen 5 1600, 8GB RAM



TS-1277-1700-16G

Ryzen 7 1700, 16GB RAM

TS-1277-1700-64G

Ryzen 7 1700, 64GB RAM

**BIG
THiNK.**

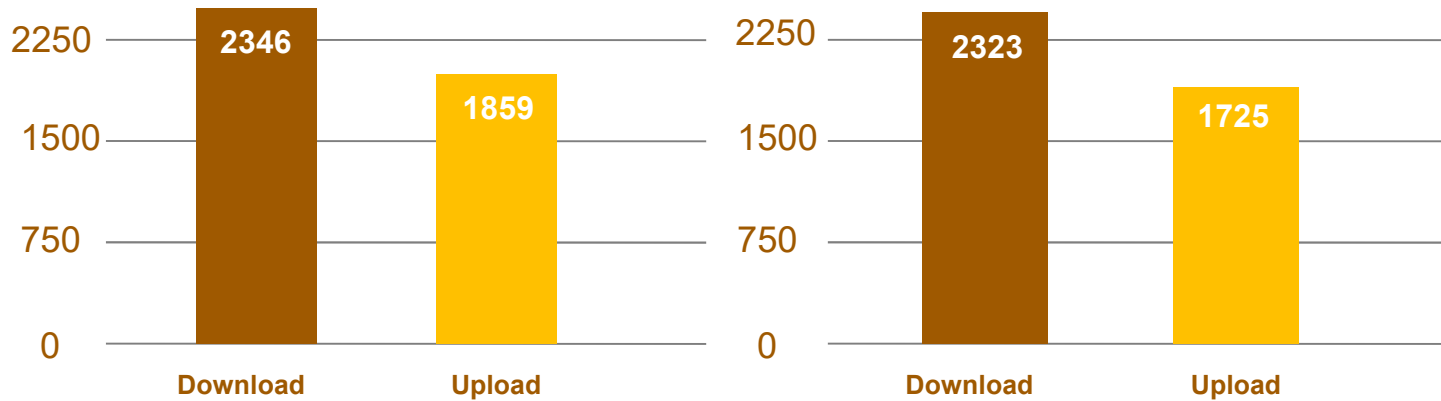
10GbE connectivity via a PCIe NIC



10GbE x 2
(Sequential file transfer)



10GbE x 2
(Encrypted sequential file transfer)



Tested in QNAP Labs. Figures may vary by environments.

Test environment:

NAS: TS-1277-1700-16G with QTS 4.3.4

Volume type: RAID 5; 12 x Intel S3500 240GB SSDs (SSDSC2BB240G4)

Client PC:

Intel® Core™ i7-4770 3.40GHz CPU; 16GB RAM; QNAP LAN-10G2SF-MLX 10GbE NIC ; Windows® 10 64-bit, IOMeter 64KB



Front overview

LED indicators w/
adjustable brightness:
HDD, SSD, M.2 SSD

2, 4 x 2.5" SSD trays for
Qtier auto tiering &
SSD caching

4, 6, 8 x 3.5" HDD trays
w/ support for 2.5" drives

LCD w/ Enter &
Select buttons

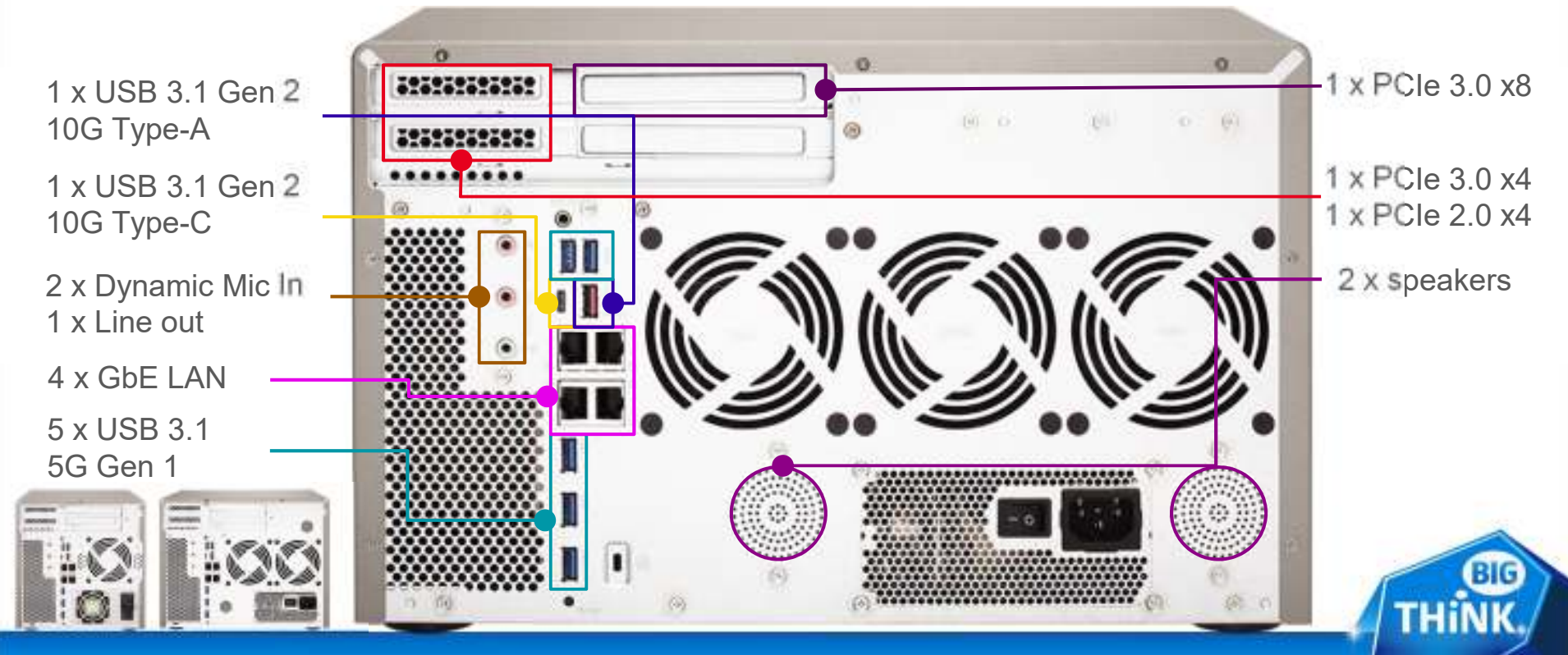
IR receiver

Power button

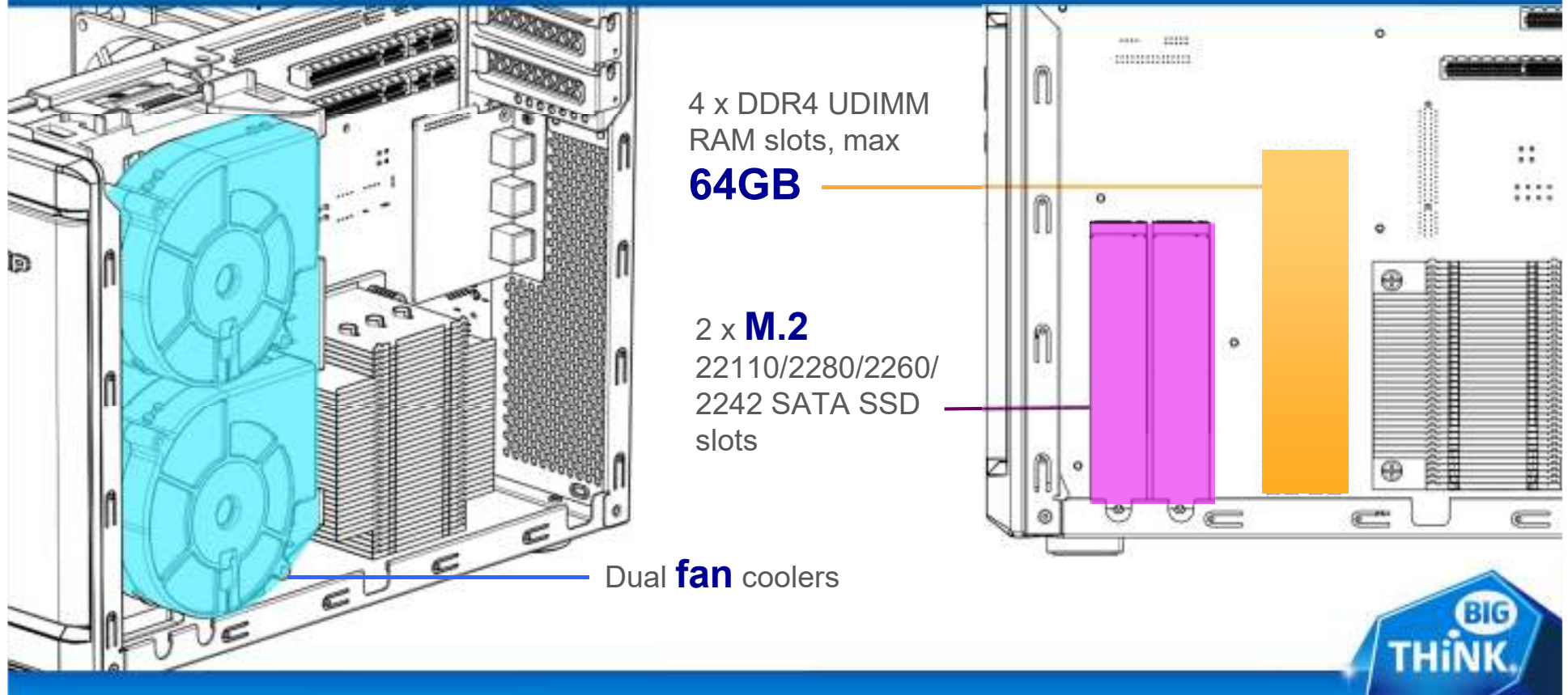
USB 3.1
Gen 1 &
Copy button



Rear overview



Under the hood

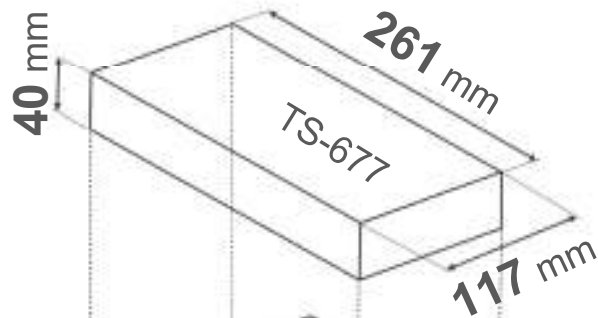


4 x DDR4 UDIMM
RAM slots, max
64GB

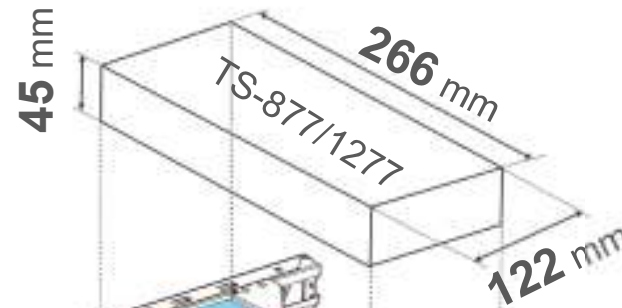
2 x **M.2**
22110/2280/2260/
2242 SATA SSD
slots

Dual **fan** coolers

Do more w/ desktop GPU



250W PSU
TS-677



550W PSU
TS-1277

450W PSU
TS-877



GPU passthrough & QTS utilization


- Virtualization Station: **AMD & NVIDIA** GPUs
- HD Station, Linux Station, hardware transcoding: **NVIDIA** GTX 1050/1060/1070 & P2000 GPUs

← ControlPanel

General Audio Alert Smart Fan **Graphics Card**

You can install graphics cards on the expansion slots to increase the capacity for performing computations in certain applications. Additional graphics cards also provide the HDMI output capability that can be used by HD Station, Linux Station, and Virtualization Station. For details, go to [\(Compatibility list\)](#)

Manufacturer	Model	Memory usage	GPU usage	Fan speed	Temperature	Assign resources to
NVIDIA	QUADRO P2000	12.00 MB / 4.90 GB	0%	Medium speed	33°C / 91.4°F	HD Station / Linux Station / Hardware Transc...



TS-x77 Demo

- Upgrade **memory**
- Install **M.2 SSD** with the included **heatsink**
- Install a **graphics card**
- QTS
 - Control Panel - Hardware - **Graphics Card**
 - HybridDesk Station **4K 60P** video playback

Coming soon in Q4



TS-1277-1700-64G
(4 x 16GB)

TS-1277-1700-32G
(2 x 16GB)

TS-1277-1600-16G
(2 x 8GB)



TS-877-1600-16G
(2 x 8GB)

TS-877-1400-8G
(2 x 4GB)



TS-677-1400-8G
(2 x 4GB)



The QNAP logo is displayed in white, uppercase letters on a blue rectangular background in the top-left corner. The background of the entire slide features a 360-degree panoramic view of a modern office building with a complex, angular facade, rendered in a light blue and white color scheme.

QNAP

360° Panorama Photo & Video

QNAP Systems, Inc.

The Latest Trend of 360-degree Media

- Various devices support shooting 360° photo or video
- Well-known websites have supported 360 ° panoramic photos or video playback



YouTube



Facebook



**Garmin
VIRB® 360**



What's 360° panoramic photo or video?

Use the 360° Panorama camera to record all angles



No stitching



Fisheye format

Stitching



Equirectangular format

Stitching by using the tools which are provided by the camera

Popular 360 cameras



Single fisheye
Detu Sphere S



Dual fisheye
Ricoh Theta S



3 fisheye
GIROPTIC 360cam



4 fisheye
Detu F4



6 fisheye
Insta 360 Pro



2 standalone fisheye
Kodak SP360



6 cameras
GoPro Omni



8 cameras
Vuze 4K 3D 360
Spherical VR Camera

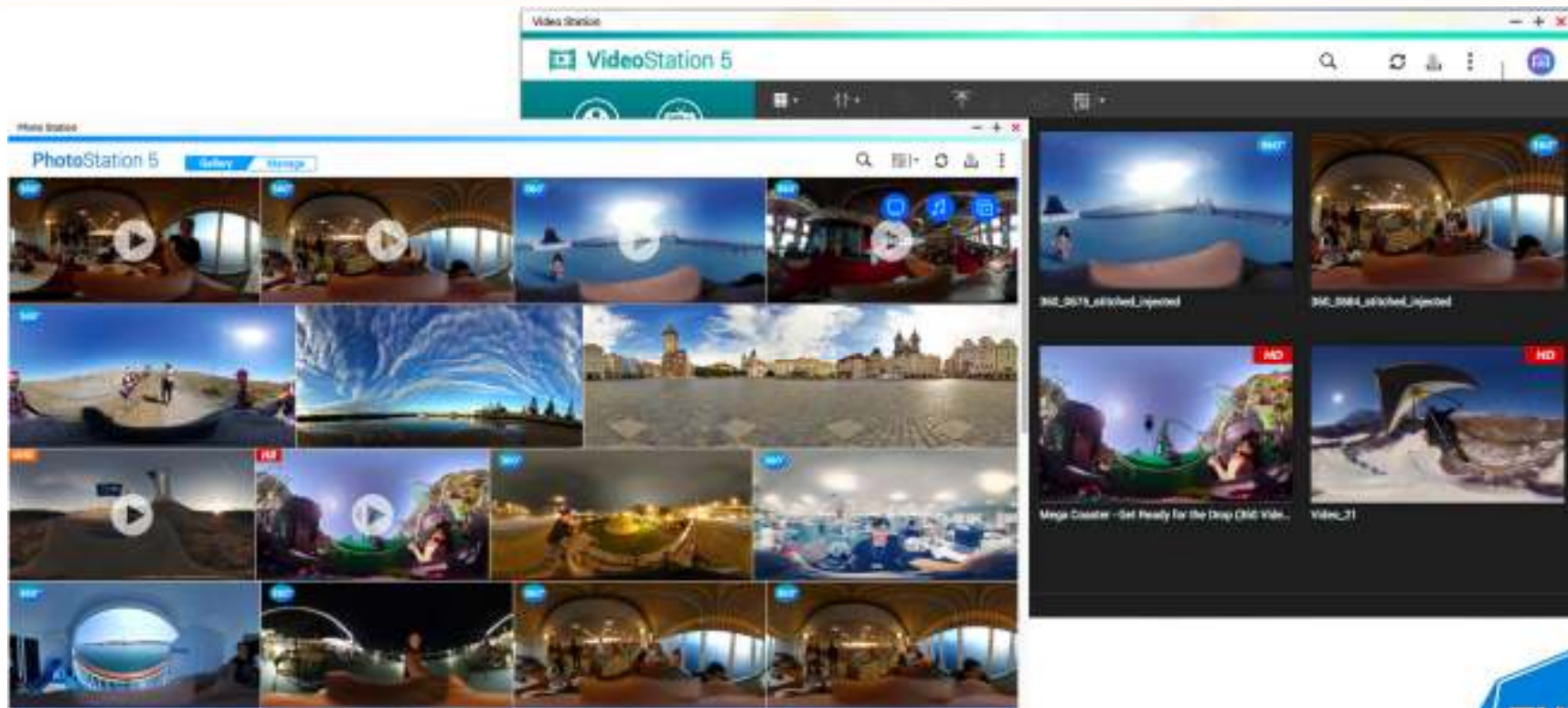


36 cameras
PANONO



QNAP 2017

Supports 360° photo or video viewing on QTS 4.3.4



**BIG
THINK.**

360° Photo and Video Viewing



Normal screen



360° playback screen
View different angles by using mouse

360° file information

- If the file which have the following information, the player will initiate 360° playback function to view files
 - ✓ Projection Type= **quirectangular**
- If the file doesn't have this information, you can still play by clicking the 360° button



Supported Applications and Mobile Apps

Web-base Applications



File Station



Photo Station



Video Station



Qsirch

Mobile Apps



Qfile



Qphoto



Qvideo

Demo

TS-677

- CPU : AMD Ryzen
- RAM : 8GB
- GPU Card : Nvidia GTX 1050Ti
- QTS Firmware 4.3.4

iPhone 6 :

- Giroptic iO 360 Camera
- Qfile



THANK YOU